

Introducing the **OSBORNE EB-3 MITER GUIDE** by **EXCALIBUR**



ROCK SOLID! DEAD ACCURATE!

INSTRUCTION MANUAL

**Now ANY
WOODWORKER
can produce
cleaner smoother
cross cuts than
ever before
with the MOST
STABLE MITER
GUIDE AVAILABLE
ANYWHERE.**

PLEASE READ THIS FIRST

CONGRATULATIONS on your purchase of the Osborne Miter Guide.
It is the most stable and effective miter platform available today.
Before you begin the simple assembly, please remove the entire contents
of the box, and check it against the packing list to ensure that you have all
of the components. Then follow the assembly instructions.

SAFETY REMINDERS

Your new miter guide was designed and engineered with ease-of-use, accuracy and safety in mind. Do not modify this device or use it for purposes other than that for which it was intended. When used properly the Osborne miter guide will enable you to produce the cleanest and flattest cross cuts possible on your table saw. As a result, you will also produce the best miter joints possible. This does not reduce or eliminate the necessity for you to understand and comply with all the safety requirements and recommendations outlined in manuals provided by the original equipment manufacturer. For your own safety, read the owners manual carefully and become aware of the tool's limitations. You, as the owner of a powerful piece of woodworking equipment, are responsible for its proper maintenance and safe operation. Failure to be mindful of safety procedures and practices can result in devastating personal injury.

Ensure that all guards are in place and functioning properly. Keep the machine tuned up. To reduce the potential for binding or kick back, keep your blade sharp, and make sure it is properly aligned relative to the guide slots. Check the tools frequently for loose, damaged or malfunctioning components. Lubricate it as recommended, insure it is properly grounded and avoid damp or wet locations. Always take the time to disconnect the power supply before you perform any maintenance or repair. Clear away hand tools and other objects before you turn the machine on. When cross cutting on a table saw you must maintain firm control of the work piece, but remember to let the tool do the work. You should never need to force the material through the cut. Please keep children or unqualified persons away from the equipment. Keep the work area clean. Dress appropriately for operating woodworking equipment. Wear safety glasses and noise suppressors. Do not wear loose clothing or anything around your neck that might get caught and draw you down into the machine.

INSTRUCTIONS FOR USE

Before you first use your new miter guide please ensure that you have followed the assembly instructions provided and that all connections are mechanically secure. After you verify that it is assembled and functioning properly, simply remove the old miter guide from your table saw and follow the guidelines below.

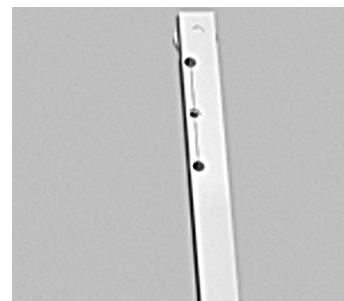
This innovative new miter guide design is intended to replace the original equipment guide that was provided with your table saw at the time of purchase. The guide bar will fit into the standard 3/8" by 3/4" slot or T-slot on most table saws. If your table saw does not have a T-slot simply remove the flat washer under the leading edge of the guide bar using the hex key provided.

ASSEMBLY

Remove the unit from the box and unfold it. Slide the inner brace (H) into the red outer brace (E) then tighten the angle clamp knob (I). Attach the handle (C) to the guide bar (A), make sure to put the 3/4" plastic washer (Y) on the stud before screwing it on. Assemble and attach the flip stop as per flip stop exploded view. If you choose to use the self adhesive abrasive on the fence first separate the fence from the rest of the assembly (See "Reversing the Guide"). Simply remove the paper backing and apply to the smooth face of the fence. Apply pressure over the entire surface with the palm of your hand or with a hard rubber roller. Trim the excess by running a utility knife against the edge of the fence all the way around the outside.

ADJUSTING THE GUIDE BAR

There are three adjustment slots in the guide bar. With the bar in the slot, insert the hex key (provided) into the set screw at the center of the slot. Adjusting this screw up and down will expand and contract the width of the bar. Adjust each slot so that you eliminate lateral play but still have smooth sliding action across the entire fence.

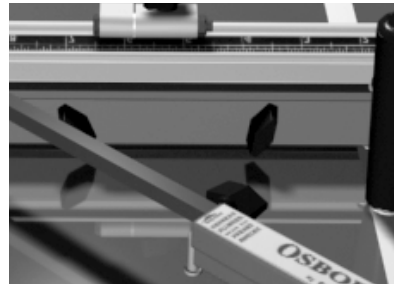


SETTING ANGLES

To set commonly used angles, position the fence in the vicinity of the desired angle. Compress the detent plunger (F) on the underside of the outer brace (E) until it seats in the hole, now tighten the angle clamp knob (I). To manually set an angle, first loosen the angle clamp knob. Move the fence forward or back until the desired angle is indicated at the edge of the red outer brace (red pointer) then lock the clamp knob securely.

LATERAL POSITIONING

You can position your fence closer or farther away from the blade (maintain at least 1/8" for safety). Simply loosen the two fence clamp knobs (M), slide the fence to the desired position, then lock securely. Never attempt to adjust the fence while the saw is running.



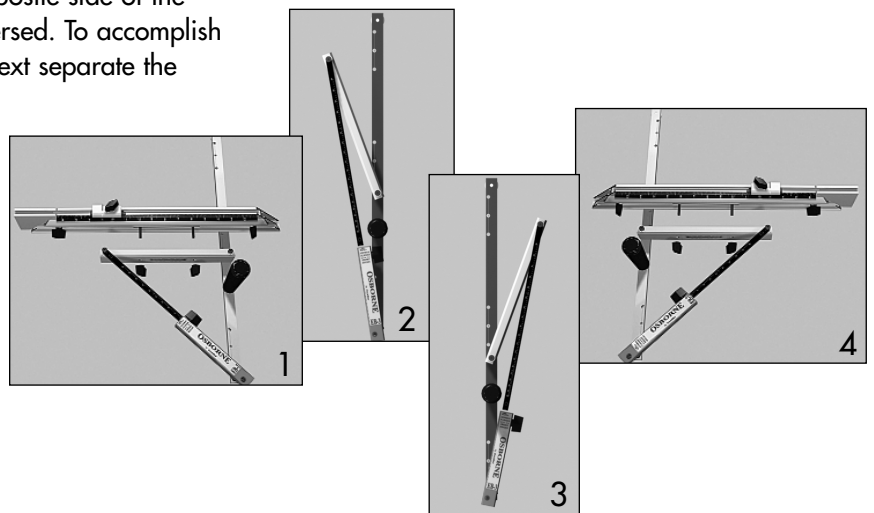
EXTENSION STOP

The fence extension (N) can telescope out of the main fence by loosening the extension clamp knob (Q) and sliding it out to the desired distance, secure the flip stop to the extension for repeatable long cuts.



REVERSING THE GUIDE

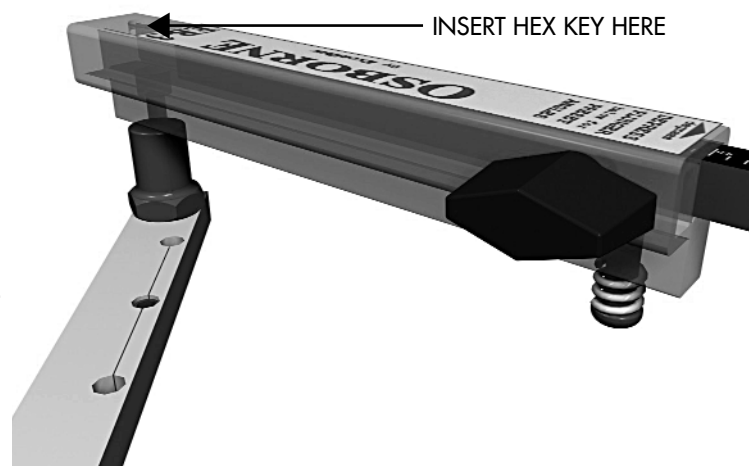
When it becomes necessary to work on the opposite side of the blade, the EB-3 can easily and quickly be reversed. To accomplish this, first remove the fence clamp knobs (M). Next separate the fence and clamp bar assembly (L) from the fence mount (J). Loosen the angle clamp knob and pull the inner brace out of the outer brace. Rotate both the fence mount and the outer brace to the opposite side of the guide bar. Slide the inner brace back into the outer brace and tighten the angle clamp knob. Insert the clamp bar assembly threaded studs through the front of the fence mount and secure using fence clamp knob. The fence extension (N) can be removed and inserted into the opposite end of the fence as well.



CALIBRATION ADJUSTMENT

1. Set the miter guide to 90 degrees using the detent plunger. Lock the arm in position with the angle clamp knobs.
2. Loosen the eccentric lock screw inside the outer brace using the hex key provided.
3. Rotate the adjuster (D) left or right until the guide is at a true 90 degrees. Confirm the angle with your calibration square.

Tighten the eccentric lock screw securely

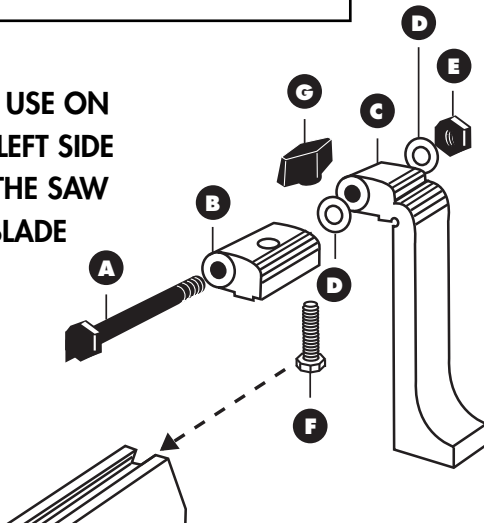


FLIP STOP EXPLODED VIEW

FLIP STOP CONFIGURATION

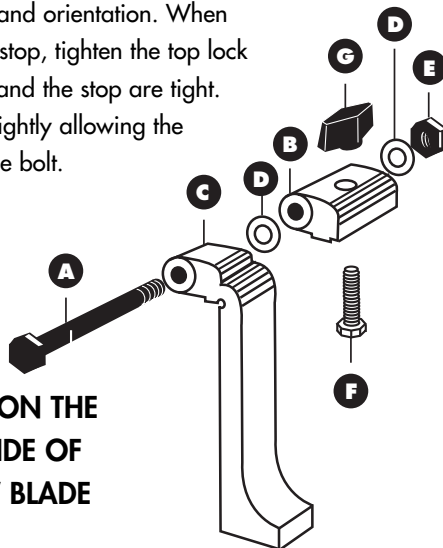
- A** 1 1/4-20 x 2 1/2 flip bolt
- B** 1 aluminum slide
- C** 1 aluminum stop
- D** 2 plastic washer
- E** 1 top lock nut
- F** 1 1/4-20 x 1 zinc slide bolt
- G** 1 black bar knob

FOR USE ON
THE LEFT SIDE
OF THE SAW
BLADE



Your sliding flip stop can be set up for use in a left or right hand orientation. When you assemble the stop, tighten the top lock nut until the slide and the stop are tight. Back off the nut slightly allowing the stop to pivot on the bolt.

FOR USE ON THE
RIGHT SIDE OF
THE SAW BLADE



After your stop is assembled in the desired orientation, slide the head of bolt F into the track slot that runs along the top of the fence.

| QTY | PART# | DESCRIPTION | REF. |
|-----------|----------|------------------------------|------|
| 1 | M054 | Guide Bar | A |
| 1 | M055 | Retainer Washer | B |
| 1 | X097 | Handle | C |
| 1 | D063M001 | Adjuster | D |
| 1 | D062E010 | Outer Brace | E |
| 1 | D084M506 | Detent Plunger | F |
| 1 | D375S511 | Detent Plunger Spring | G |
| 1 | D061F009 | Inner Brace | H |
| 1 | D247X505 | Angle Clamp Knob | I |
| 1 | D059E002 | Fence Mount | J |
| 1 | E152 | Fence | K |
| 1 | F283 | Fence Clamp Bar | L |
| 2 | X098 | Fence Clamp Knob | M |
| 1 | E153 | Fence Extension | N |
| 2 | F284 | Fence Extension Bar | O |
| 2 | F285 | Extension Bar Clamp Plate | P |
| 2 | SAX098 | Extension Clamp Knob | Q |
| 2 | M055 | Extension Clamp Knob Spacer | R |
| 1 | E154 | Flip Stop | S |
| 1 | E155 | Flip Stop Mount | T |
| 1 | T053 | Tape Measure | U |
| 1 | Z086 | (Sandpaper) Non-Skid Surface | V |
| FASTENERS | | | |
| 1 | D067B509 | M6 Flat Head Screw | W |
| 3 | B701 | Guide Bar Adjusting Screw | X |
| 1 | X100 | 3/4" Plastic Washer | Y |
| 1 | D075B514 | M6 x 6 Shoulder Bolt | Z |
| 3 | D076W512 | Spring Washer | AA |
| 1 | D073B513 | M5 Socket Head Screw | BB |
| 1 | D077N508 | M6 Square Nut | CC |
| 1 | D085S004 | E-Clip | DD |
| 3 | D070W510 | Flat Washer | EE |
| 1 | D071B512 | M6 x 35 Shoulder Bolt | FF |
| 1 | D072N507 | M5 Square Nut | GG |
| 1 | D069B511 | M6 x 40 Shoulder Bolt | HH |
| 2 | B147 | #10 Set Screw | II |
| 1 | B226 | 1/4" x 2 1/2" Hex Bolt | JJ |
| 1 | N204 | 1/4" Nylon Insert Nut | KK |
| 2 | X101 | 1/2" Plastic Washer | LL |
| 1 | B241 | 1/4" x 1" Hex Bolt | MM |
| 2 | R014 | Extension Clamp O-Ring | NN |
| 1 | D094T007 | Hex Key | OO |



P.O. BOX 5056 | S. WILLIAMSPORT, PA | 17702-0856

1-800-852-9655

E-MAIL: OMCo1@osbornemfg.com | www.osbornemfg.com

SHIP TO: 1024 BALD EAGLE AVE. | S. WILLIAMSPORT, PA | 17702-0856
TEL 570-327-0434 | FAX 570-327-0451